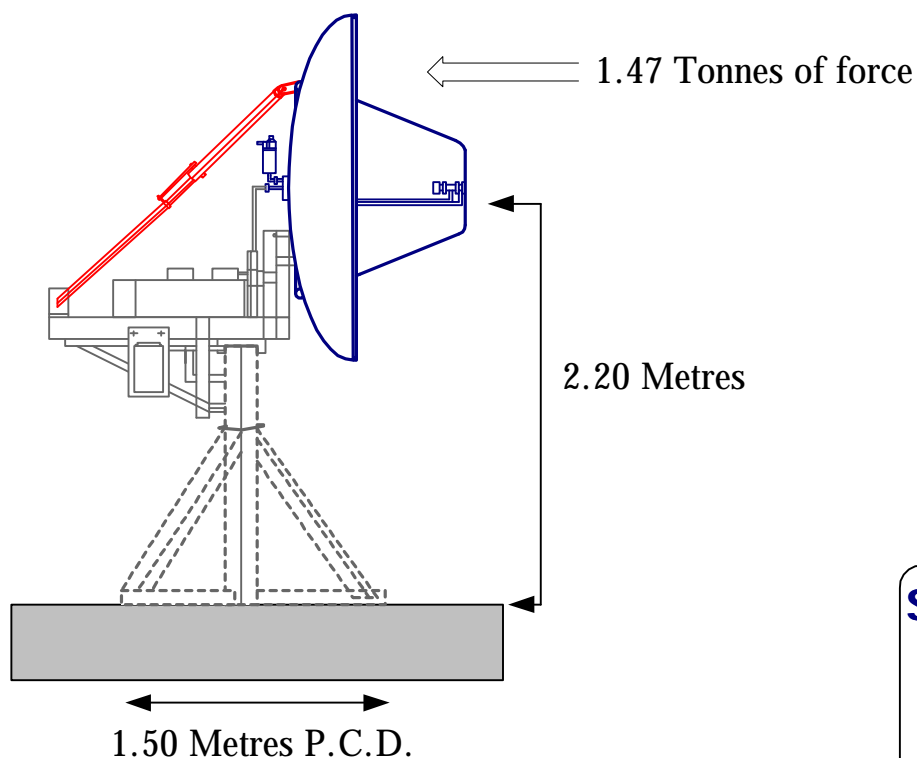


Determining size of concrete block SF24

Dish Diameter	2.40 metres	(7.90 feet)
Centre of dish to ground	2.20 metres	(7.20 feet)
P.C.D. of mount	1.50 metres	(4.90 feet)
Wind Speed	125 m.p.h	(200 Km/Hr - 56 m/s)

Concrete Block size

Length	=	1899 mm
Width	=	1899 mm
Depth	=	335 mm
 Volume	=	1.21 cubic metres



Fa	=	14648 Newtons	3293 lbf	1.47 Tonnes
B	=	1899 mm	6.2 feet	
Wc	=	2722.6 Kg	6002.4 lbs	2.68 Tonnes
D	=	335 mm	1.1 feet	

S+AS Limited
 6 The Walled Garden
 Wallhouse, Torphichen
 West Lothian
 [44] 1506 636314

Mount Support
 Diagram
 SF24.ST(X)(S)[R]

DWG NO SF24CBD	REV
SAS_001/9/97	A
SHEET	1 OF 1